

# Forenta

Morristown, TN U.S.A.

## Puff Irons

Models 33PS, 25PS, 7PS

- Absolutely No Steam Leaks
- Choice of Buck Sizes at No Additional Charge
- Optional Vacuum and Fabric Heads
- Dual Pedals Available on All Puff Irons
- New, Improved Vacuum Valve
- Improved Pedal Design



33PSVH



25PS

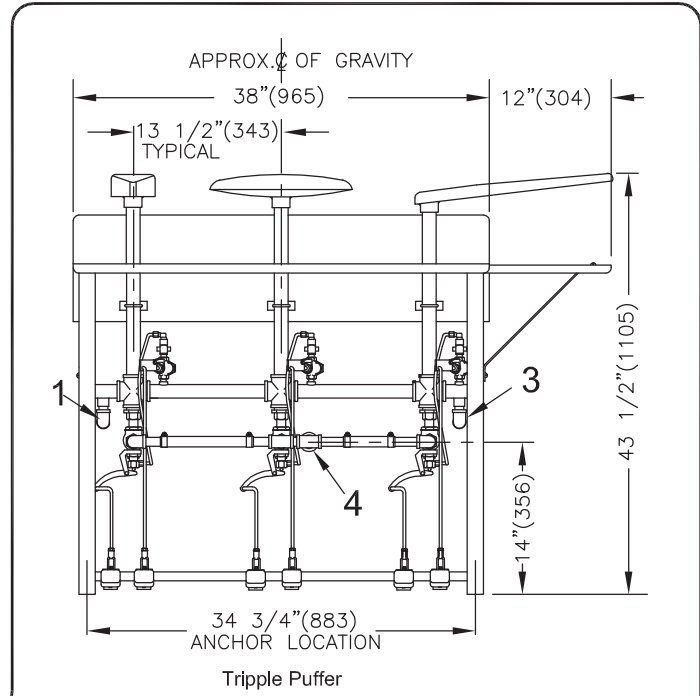


7PS

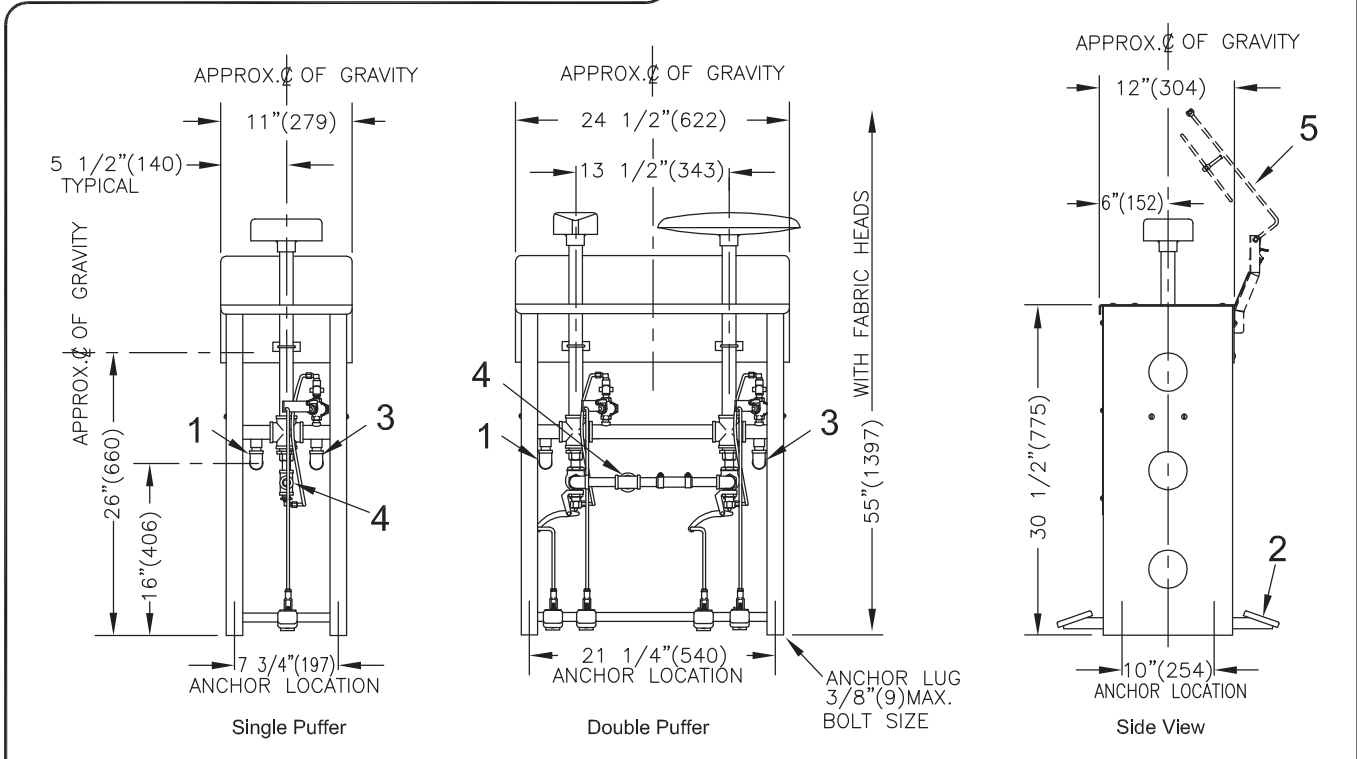
# Specifications

## Model Puff Irons

Steam and Vacuum connection		Puff Irons	
Steam Inlet	NPT	1/2"	
Steam Outlet	NPT	1/2"	
Rec. steam pressure	PSIG kPa	75-85 517-586	
Steam consumption @ 80psig(552 kPa)	BHP kg/hr lb/hr	0.25 3.9 8.6	
Air Vacuum Connection	NPT	1 1/4"	
Weight (crated)			
Shipping	Single Puffer	lbs kg	70 32
	Double Puffer	lbs kg	112 51
	Tripple Puffer	lbs kg	206 93
Weights include all features. Weights may be reduced slightly if some features are omitted.			
1 Steam connection	4 Air Vacuum Connection (optional)		
2 Double Pedal (optional)	5 Fabric Head (optional)		
3 Steam Outlet connection			



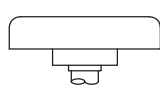
### Detail Line Drawing (millimeters shown in parentheses)



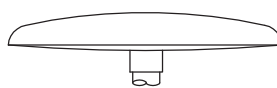
No. 3  
Egg Buck  
1 3/4"(44) DIA.



No. 1-L  
Ladies Shoulder Buck  
7 1/2"(190) x 5"(127)



No. 1M  
Mens Shoulder Buck  
7"(178) x 4"(101)



No. 2  
Mushroom Buck  
13 1/2"(343) x 9 1/2"(241)



No. 4-C  
Sleever Buck  
22"(559) x 1 3/4"(44) x 4 1/2"(114)