

# Forenta

Morristown, TN U.S.A.

## "C" Series Dry Cleaning Scissor Utilities

Models 421/461 SURMC, 461SULMC



- Choice of Heads and Bucks Sizes for Versatility
- Available with Small End to the Right (SURMC) or to the Left (SULMC)
- All Models Available with Grid Plate or with Hot Head



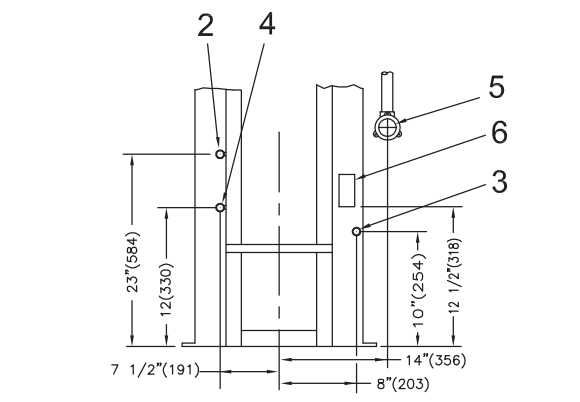
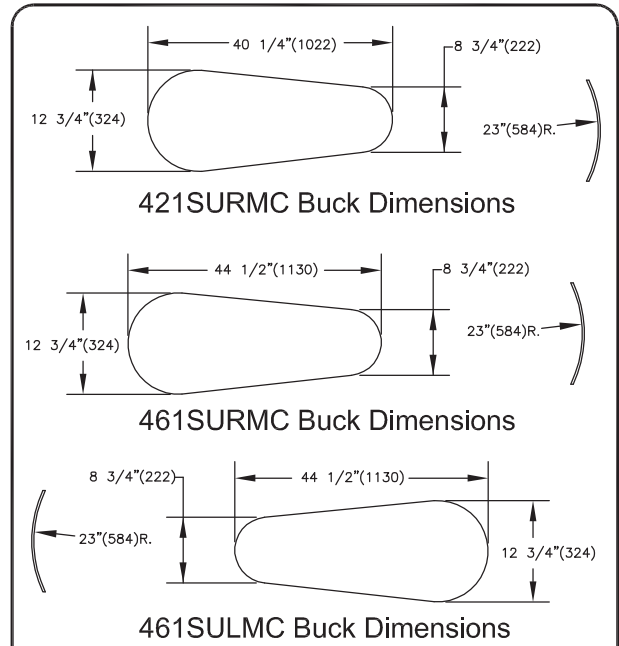
- Close Head with One Hand, Two Hands Required to Lock
- Fast Closing and Opening of Head for Maximum Production
- No Vacuum-Pick-Up Feature with Fast Head Opening
- Durable Frame and Bearings

Iron Attachment, Sleeve Board, Water Spray Optional.

# Specifications

Models 421/461 SURMC, 461SULMC

Electrical connections		421/461 SURMC	461SULMC
Voltage	120V 1PH 50/60Hz .5amps	Standard	Standard
Voltage	230V 1PH 50/60Hz .25amps	optional	optional
Optional Iron Attachment:			
Voltage	120V 1PH 50/60Hz	1000	1000
Wattage			
Approx. Consumption/hour		0.5 KWH	0.5 KWH
Steam and Air connection			
Steam Inlet	NPT	1/2"	1/2"
Steam Outlet	NPT	1/2"	1/2"
Rec. steam pressure	PSIG	75-85	75-85
	kPa	517-586	517-586
Steam consumption @ 80psig(552 kPa)	BHP	1	1
	kg/hr	15.6	15.6
	lb/hr	34.5	34.5
Compressed air	NPT	3/8"	3/8"
Air consumption	free air/cycle at 80psig	0.30 FT <sup>3</sup>	0.30 FT <sup>3</sup>
	free air/cycle at 552kPa	.008m <sup>3</sup>	.008m <sup>3</sup>
Rec. air pressure	PSIG	80	80
	kPa	552	552
Air Vacuum Connection	NPT	1 1/4"	1 1/4"
Weight (crated)			
Shipping	lbs	782	782
	kg	355	355
Dimensions			
A (overall width)		58"(1473)	63"(1600)
1	Control Push Buttons	4	Steam Outlet connection
2	Steam connection	5	Air Vacuum Connection
3	Air connection	6	Electrical Connection



## Detail Line Drawing (millimeters shown in parentheses)

