

Forenta

Morristown, TN U.S.A.

"F" Series (Clear Buck) Utility Press

Models 462FOR/FORH and 462FOL/FOLH

- Clear buck design for easy operator dressing
- Finishes a wide variety of garments
- Available with grid plate or with hot head
- Can be used as a steam and vacuum board for finishing sweaters and hand ironing
- FOR (small end right) designed for finishing wools
- FOL (small end left) designed for finishing silks



462FOR



462FOL

- Patented operating controls - close with either hand and lock with the other
- Two-hand control operation on hot head presses
- Variable pressure system for quality pressing

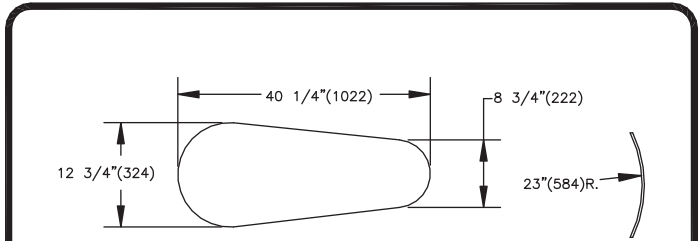
Water Spray Standard/Iron Attachment, Sleeve Board, Optional.

Specifications

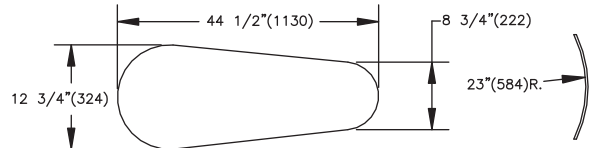
Models 422/462 FOR/FOL

Electrical connections		422/462 FOR/FOL
Voltage 120V 1PH 50/60Hz .5amps		Standard
Voltage 230V 1PH 50/60Hz .25amps		optional
Optional Iron Attachment:		
Voltage 120V 1PH 50/60Hz	Wattage	1000
Approx. Consumption/hour		0.5 KWH
Steam and Air connection		
Steam Inlet	NPT	1/2"
Steam Outlet	NPT	1/2"
Rec. steam pressure	PSIG kPa	75-85 517-586
Steam consumption @ 80psig(552 kPa)	lb/hr kg/hr	51.8 23.5
Compressed air	NPT	3/8"
Air consumption	free air/cycle at 80psig free air/cycle at 552kPa	0.32 Ft ³ .009m ³
Rec. air pressure	PSIG kPa	80 552
Air Vacuum Connection	NPT	1 1/4"
Weight (crated)		
Shipping	lbs kg	680 308

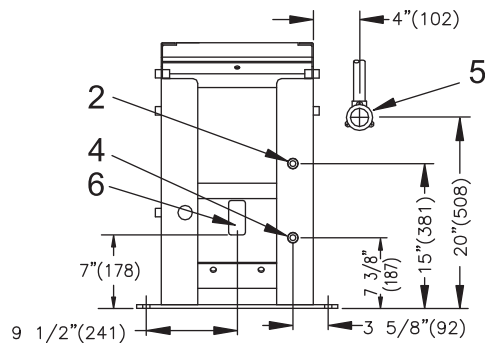
- | | |
|------------------------|---------------------------|
| 1 Control Push Buttons | 4 Steam Outlet connection |
| 2 Steam connection | 5 Air Vacuum Connection |
| 3 Air connection | 6 Electrical Connection |



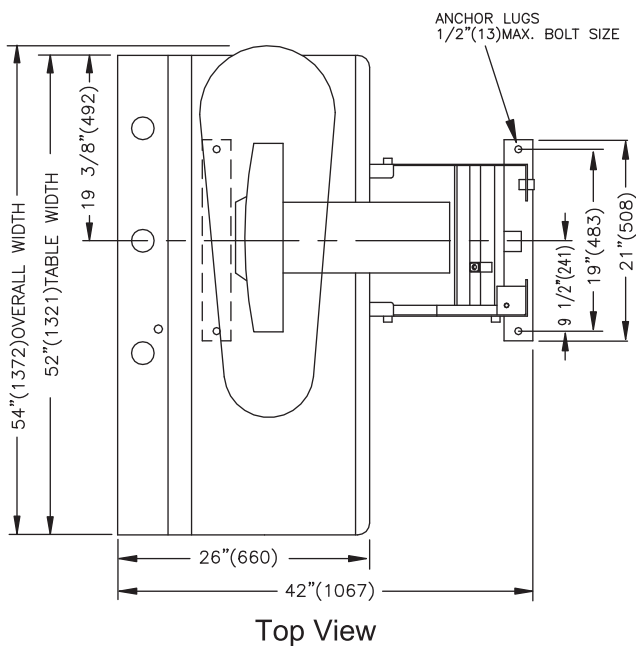
422 Buck Dimensions



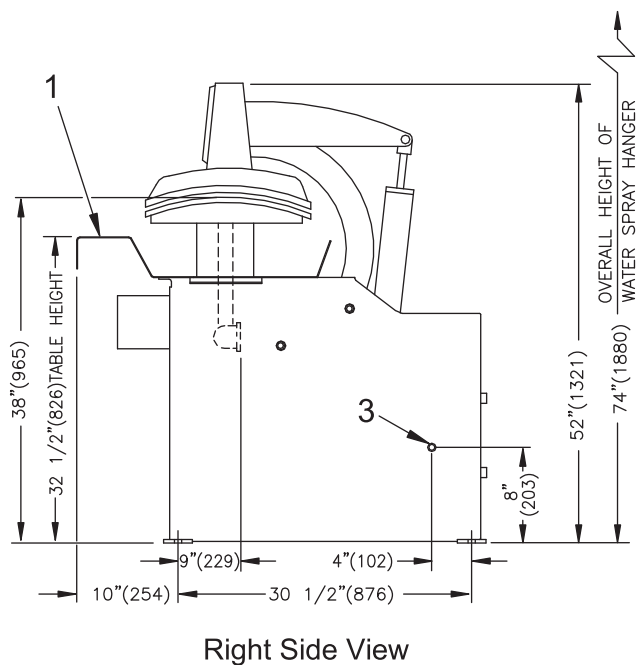
462 Buck Dimensions



Partial Rear View



Top View



Right Side View